


GSDS-400-W Soft-Down Stay

Bottom opening

Opening Direction	Description	Non-handed	Maximum Door Moment
 Bottom-opening	-	Yes	3.43-4.9 N · m/pc (35-50 kgf · cm/pc)

Features

- Soft-closing for bottom-opening doors
- Non-handed: Can be installed either on left or right side
- Designed to hold the door in fully opened and closed position
- Use of piano / butt hinge is suitable
- Passed 50,000 life cycle test

Notes

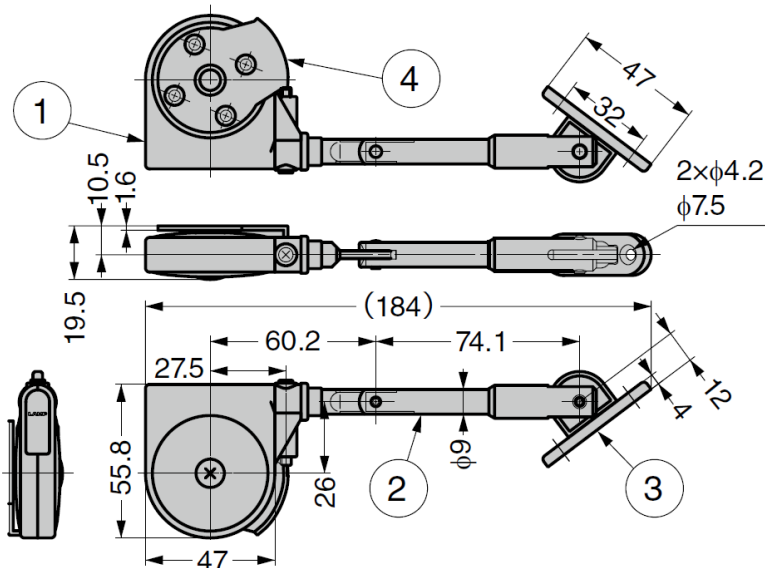
- Operating temperature: 0°C - 40°C
- Use a catch to hold the door in fully closed position
- Do not push the door down more than opening angle 70°, and do not forcibly push the door up when closing

Parts Included

- Mounting plate **GSDS-B**
- Countersunk head tapping screw 3.5×14

Sold Separately

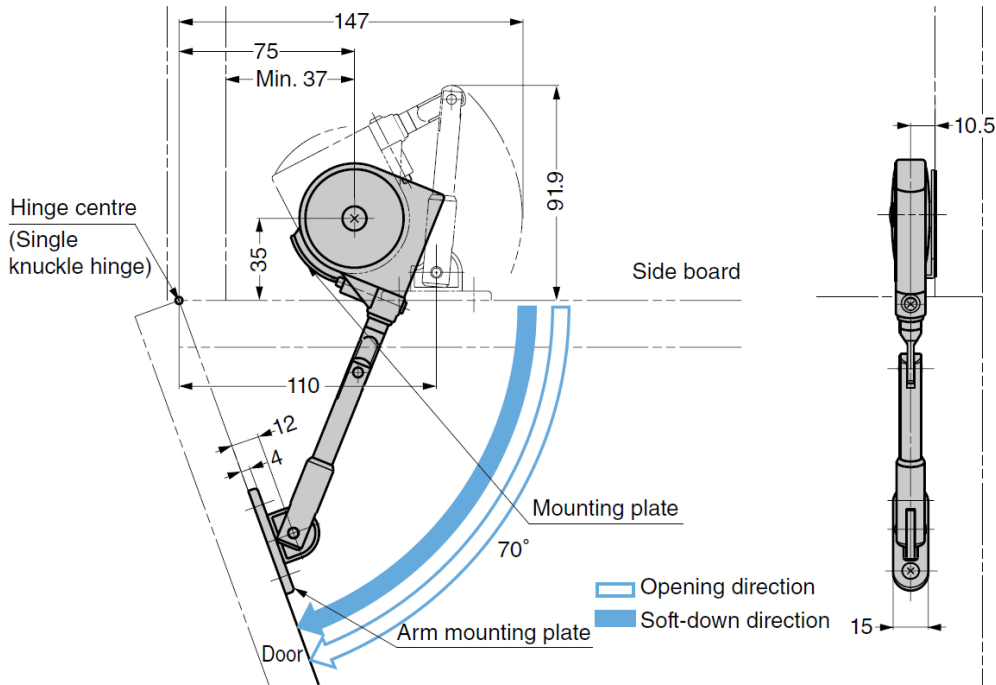
- **GSDS** face plate and spacer for glass door installation



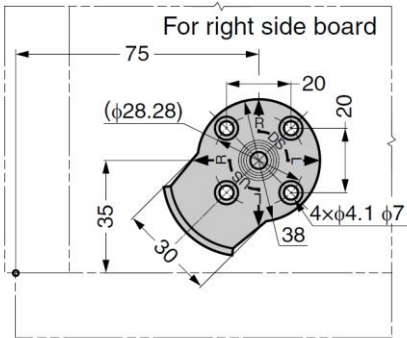
No.	Part Name	Material	Finish/Colour
①	Body	ABS	White
②	Arm	Steel (SPCC)	Nickel
③	Arm Mounting Plate		
④	Mounting plate		

Installation Illustration: Right side installation for bottom-opening 70°. Left side installation is symmetrical

Comes down slowly and softly in opening direction. Installation with piano/butt hinge shown below.



Installation for Mounting Plate



(GSDS-400 is marked with DS.)

For right side board, install with the “→” mark of R at DS side directly upwards.

For left side board, install with the “→” mark of L at DS side directly upwards.

Glass Face Plate and Spacer (Sold Separately)

Part No.	Material	Finish
GSDS-50G-CR	Zinc Alloy / ABS	Chrome / Black
GSDS-50G-BL		Black Enamel Finish / Black

Body

Part No.	Material	Finish	Maximum Door Moment (per piece)	
GSDS-400-W	ABS / Steel	Nickel / White	3.43 ~ 4.9 N.m	35 ~ 50 kgf.cm